



Liebert®

TRINERGY™ CUBE
from 150 kW to 3.4 MW

Beyond the Power Revolution

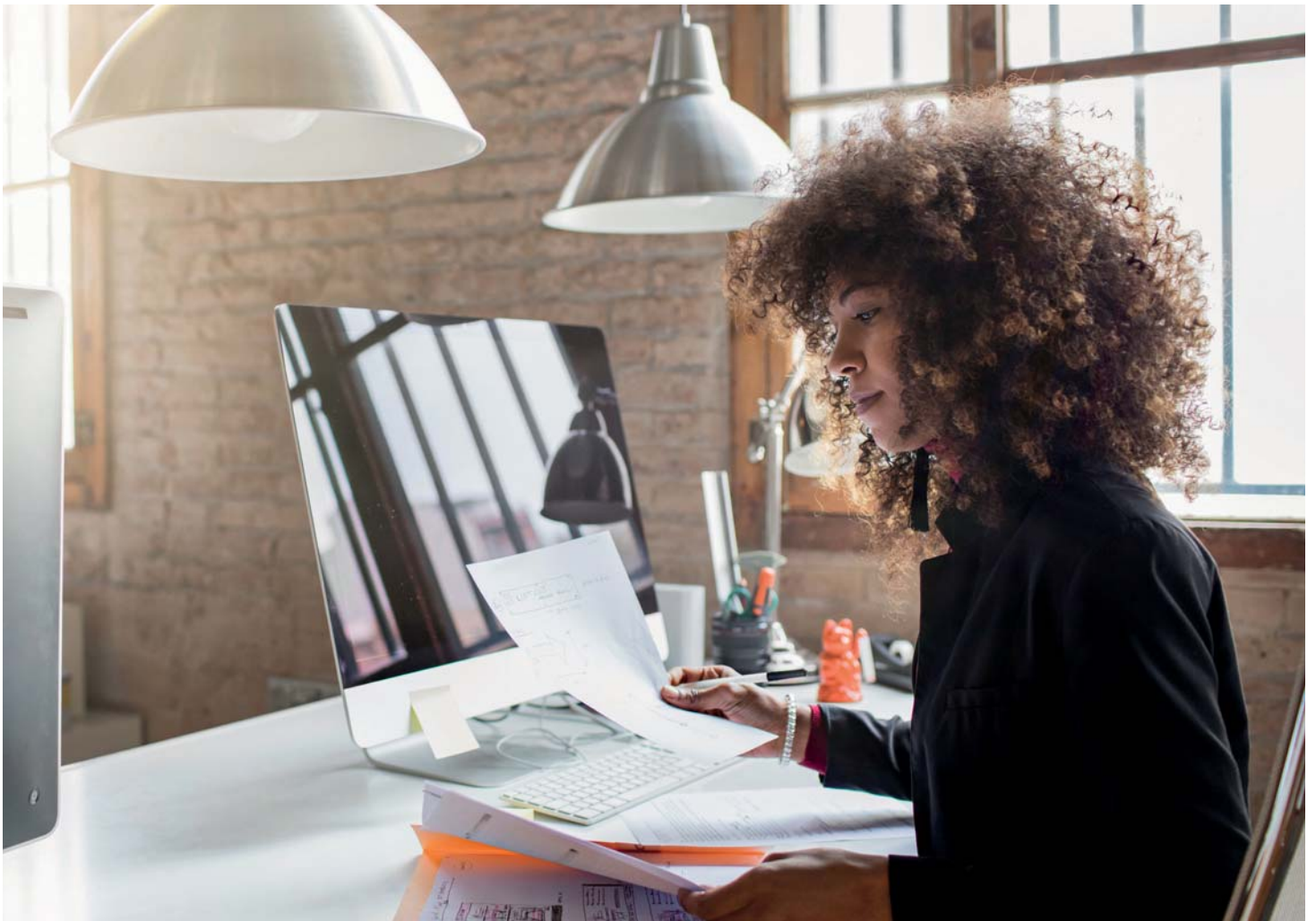


Vertiv™

Vertiv designs, builds and services mission critical technologies that enable the vital applications for data centers, communication networks, and commercial and industrial environments. We support today's growing mobile and cloud computing markets with our portfolio of power, thermal, infrastructure management products, software and solutions, all complemented by our global service network. Bringing together global reach and local knowledge, and our decades-long heritage including brands like ASCO®, Chloride®, Liebert®, NetSure™ and *Trellis*™, our team of experts is ready to take on your most complex challenges, creating solutions that keep your systems running—and your business moving. Together, we're building the future of a world where critical technologies always work.

YOUR VISION, OUR PASSION.

VertivCo.com



Liebert® Trinergy™ Cube

The New Generation of Liebert Trinergy UPS Delivering Unsurpassed Performance to Enterprise Data Centers

Designed around your IT space, **Liebert Trinergy Cube** is ready to evolve with growing business demands.

It offers the highest level of power availability as well as reduced TCO, minimum energy consumption and CO₂ emissions.

Liebert Trinergy Cube boasts unparalleled features including an **average operational efficiency of 98.5 %** and power density per core running up to 200 kW or 400 kW.

Its optimized efficiency at partial load conditions and hot scalability up to 3.4 MW means that **Liebert Trinergy Cube** delivers adaptability not available anywhere else in the market.

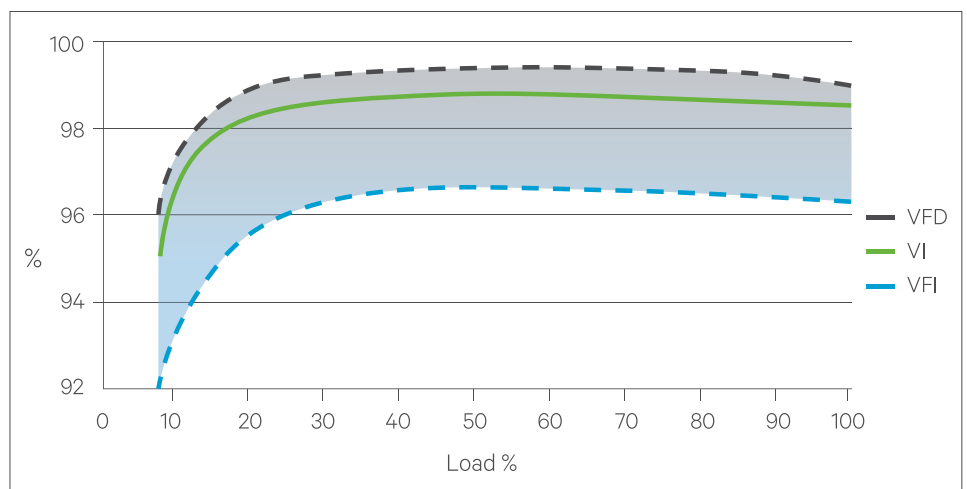
Liebert Trinergy Cube's hot scalability, allows it to meet any power system requirement from 150 kW up to 27 MW in parallel.

Liebert Trinergy Cube goes beyond the power revolution, to allow the greatest advantages in terms of availability, capacity and efficiency.



HIGHLIGHTS

- Highest average operating efficiency in the industry: 98.5%
- Hot scalability up to 3.4 MW in a single unit and up to 27 MW in a parallel system
- Unprecedented levels of installation flexibility
- Smart capacity - adaptive power rating
- Vertiv™ LIFE™ Services Remote Diagnostic and Preventive Monitoring.



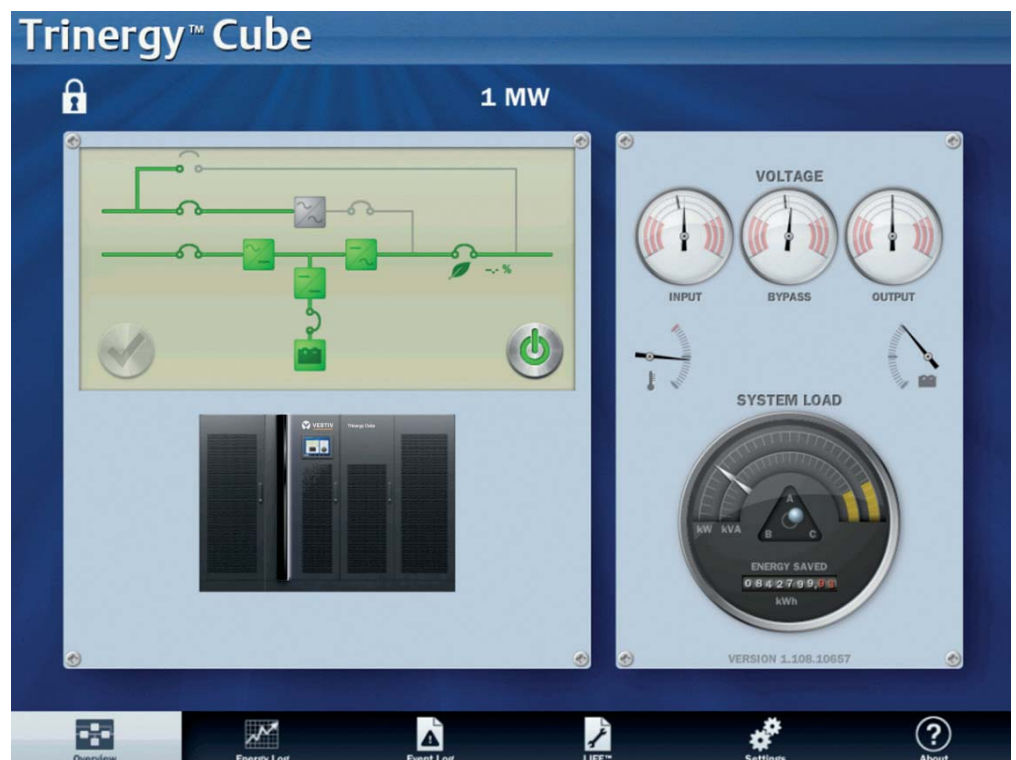
Liebert Trinergy Cube average operating efficiency of 98.5%

Availability - Uptime Enhancement

Liebert® Trinergy™ Cube makes your mission critical space a peaceful place through its advanced diagnostic capability, data tracking, measuring and logging, as well as predictive maintenance and event analysis features. Combined with a fault tolerant architecture, concurrent maintainability and hot scalability, **Liebert Trinergy Cube** guarantees continuous operation and premium protection for your customers' business.

Key availability features

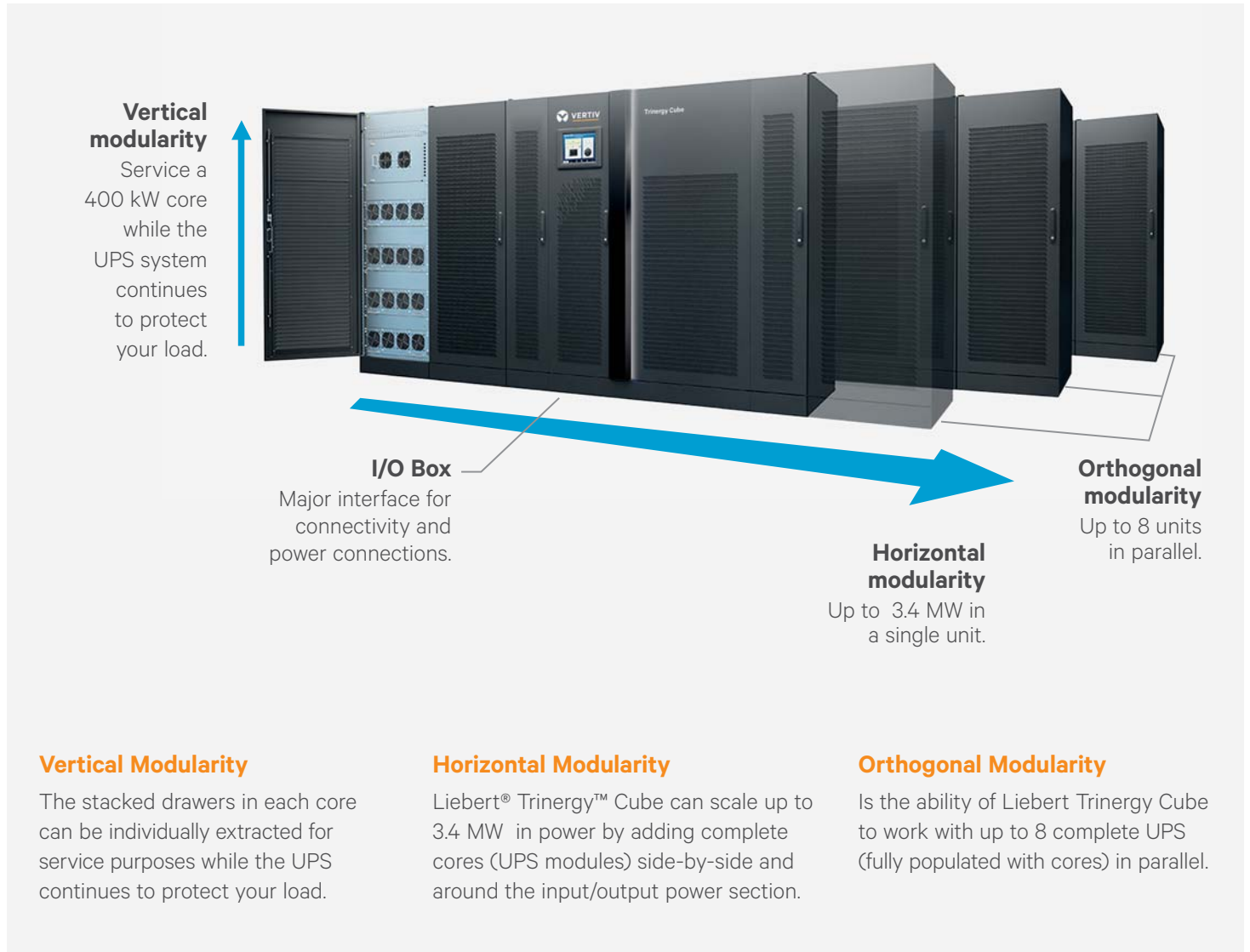
- Remote Diagnostics:**
 Vertiv™ LIFE™ Services Remote Diagnostic and Preventive Monitoring, increases uptime and operational efficiency by continuously monitoring and tracking performance trends
- Predictive Maintenance:**
Liebert Trinergy Cube is capable of verifying the health of its IGBT, capacitors, fans, contactors and batteries to determine maintenance needs and ensure critical continuity
- Data Logging:**
Liebert Trinergy Cube is capable of capturing all relevant data from efficiency to uptime parameters. Access to this information allows data center managers to control their physical space, optimize its usage and independently calculate PUE.
- Event Analysis:**
 precise event tracking, waveform capturing and harmonic spectrum analyses allow the detection of external phenomena that have the potential of impacting data center availability



Liebert Trinergy Cube LCD touch screen: interface for data tracking, logging and event analysis

Sizing Your System

Scalable up to 27 MW; the highest active power rating available thanks to three dimensional modularity: Vertical, Horizontal and Orthogonal.



Capacity & Installation Flexibility

With its high power density cores, **Liebert® Trinergy™ Cube** is the only static UPS today able to reach up to 3.4 MW in a single unit, thus allowing extraordinary capacity levels.

Furthermore, its new generation architecture and connection types allow **Liebert® Trinergy™ Cube** to deliver unprecedented levels of installation flexibility.

The system can thus be configured in a vast range of layouts, whether it be a **straight row, L-shape or back-to-back**, the system easily adapts to available floor space.

Adaptability

The **Liebert Trinergy Cube** architecture and flexibility features deliver significant infrastructure upgrade cost savings, easily adapting to new or existing installations without impacting power infrastructure. This is possible through:

- Hot scalability - minimized initial investment (CAPEX), adding power cores as business demands grow
- Centralized and distributed paralleled capabilities

- Simplified cable routing with unlimited input/output power connection availability
- Three dimensions of modularity for maximum capacity or redundancy
- Smart Capacity - adapting required power to meet the specific installation conditions in terms of climate management and circuit breaker size
- Three and four wire - allowing effortless replacement of legacy equipment
- Seismic compliance - ensuring power protection is available in any geographical location from Italy to Japan.

SMART CAPACITY ADAPTIVE PERFORMANCE

Liebert Trinergy Cube

intelligently adapts load power supply to respond to the environment conditions of the installation site.

The system's I/O Box and cores are rated to operate continuously up to 55°C and provide increased performances down to 20°C.

Furthermore, the maximum input current is adjustable to meet specific protection rating requirements.

Liebert Trinergy Cube's smart capacity ensures the best possible usage of physical infrastructure, providing maximized power to the load and optimizing each individual configuration based on the specific site conditions.

Unparalleled Efficiency

Liebert® Trinergy™ Cube delivers an unparalleled **98.5%** average operating efficiency and up to 99.5% maximum efficiency, thus reducing operating costs to a minimum.

The unparalleled levels of efficiency and consequent electricity cost savings can be attributed to:

- Latest generation IGBT
- Adoption of a three-level NPC2 topology for both rectifier and inverter
- Hot scalable power cores
- Three dynamic functioning modes (VFI, VFD, VI)
- Adaptive fast transfer.

The seamless activation of **Liebert Trinergy Cube's** functioning modes ensures the highest level of efficiency without compromising power quality and availability.

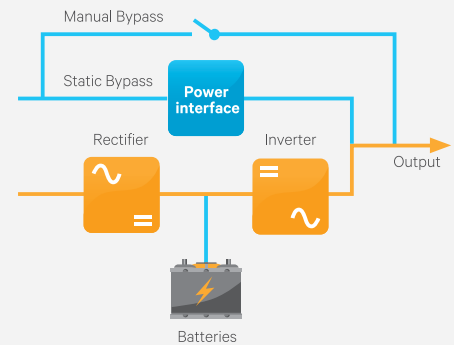
The adaptive fast transfer ensures the quickest response time under various conditions:

- Network fault (voltage variation, high/low impedance mains failures)
- Load fault (short circuit downstream of the UPS)
- Type of load connected (PDU transformer).

The unit is able to discriminate between the various types of interferences and rapidly respond, while at the same time ensuring compatibility with downstream equipment such as servers, transformers, STS or mechanical loads.

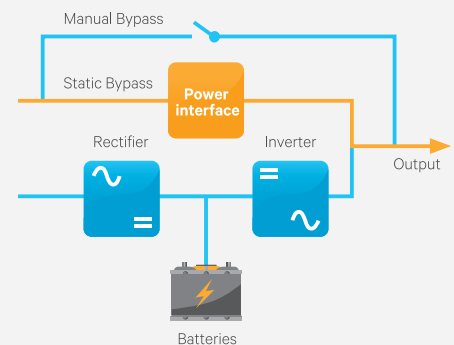
Maximum Power Control (VFI)

Provides the highest level of power conditioning and protects the load from all electrical network disturbances.



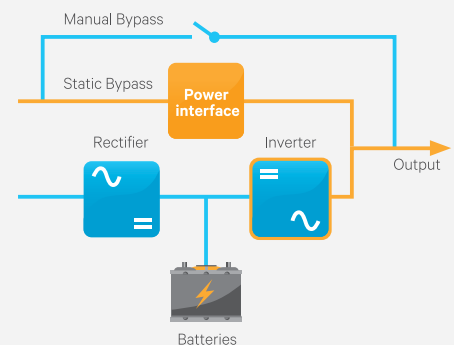
Maximum Energy Saving (VFD)

Detects when conditioning is not required and allows the energy flow to pass through the bypass line.



High Efficiency & Power Conditioning (VI)

Compensates the load THDi, PF and main sags and swells.



Liebert Trinergy Cube dynamic functioning modes

Optimized TCO

Continuous availability, unparalleled operating efficiency, optimized installation space, smart capacity and minimized electrical infrastructure costs, make **Liebert® Trinergy™ Cube** the ultimate UPS solution with an optimized TCO and rapid return on investment.

Liebert® Trinergy™ Cube is the only unit in the market which allows for hot scalability from 150 kW up to 3.4 MW in a single UPS, thus providing significant electrical infrastructure and space savings. Furthermore, its high power density running up to 200 kW or 400 kW per core, allows customers to maximize the number of racks and servers housed in their data center, thus granting more space for IT equipment.

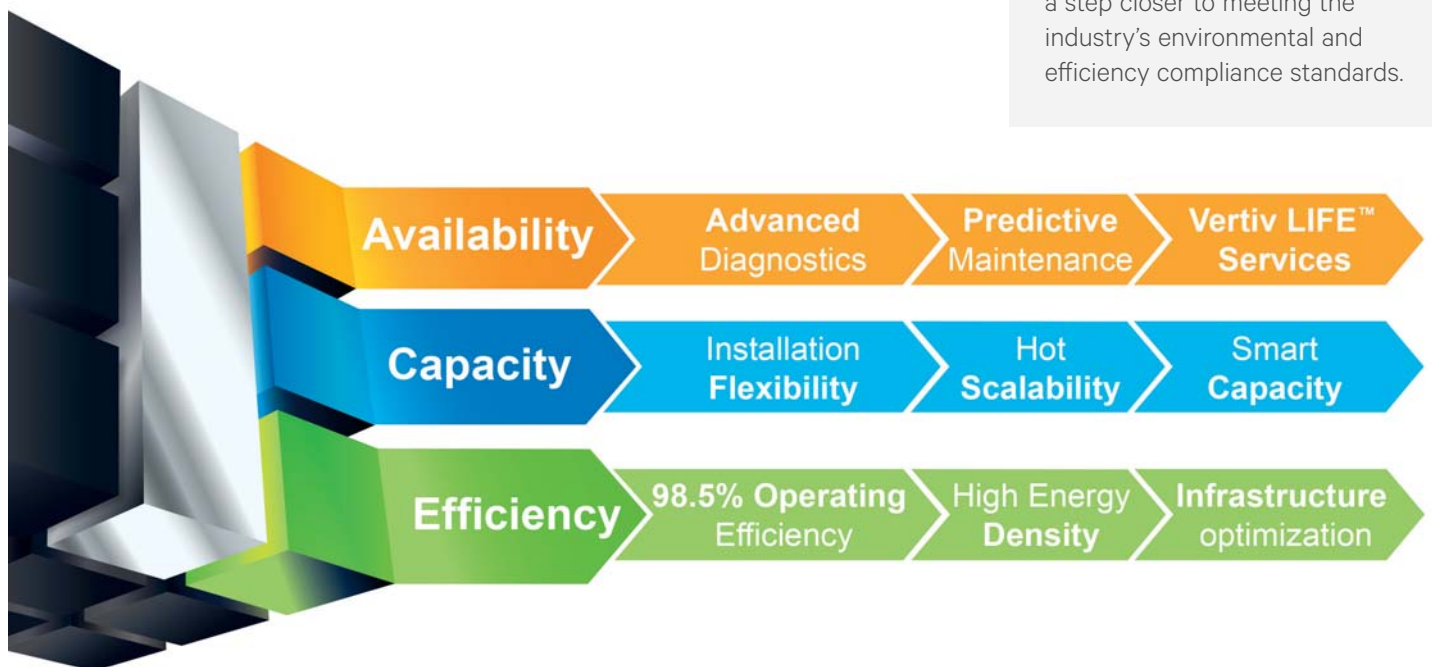
Liebert Trinergy Cube's highly efficient technology and TCO capabilities also come from Vertiv's expertise in the area of thermal management. An in-depth study of the ventilation system and internal aerodynamics of the unit has brought extraordinary results in terms of power density and power adaptability for efficient operation in all climates.

NEUTRAL CARBON FOOTPRINT

Liebert Trinergy Cube's new generation architecture has been designed to reduce energy and heat dissipation, thus minimizing the demand and consumption of air conditioning systems.

The combination of these factors, coupled with its 98.5% average operating efficiency, reduces CO₂ emissions to a minimum.

This contributes to ensuring that your customers' data centers are a step closer to meeting the industry's environmental and efficiency compliance standards.



Vertiv™ LIFE™ Services Remote Diagnostic and Preventive Monitoring

Vertiv's service program is designed to ensure that your critical power protection system is maintained in an optimum state of readiness at all times.



The **Vertiv™ LIFE™ Services** Remote Diagnostic and Preventive Monitoring provides early warning of UPS conditions and out of tolerances. This allows effective proactive maintenance, fast incident response and remote trouble shooting, giving customers complete security and peace of mind. With **Vertiv LIFE Services** you will benefit from:

Uptime Assurance

Constant monitoring of UPS parameters, thus maximizing the system's availability.

First Time Fix Rate

Pro-active monitoring and data measuring ensure that when our customer engineers are dispatched on-site, they arrive prepared for first time resolution.

Proactive Analysis

From **Vertiv LIFE Services** centers, our experts proactively analyze the data and trends of your equipment, to recommend actions to ensure their best performance.

Minimized Total Cost of Ownership of Your Equipment

The continuous monitoring of all relevant parameters in turn maximizes unit performance, reduces on-site maintenance and extends the life of your equipment.

Fast Incident Response

Vertiv LIFE Services allows for immediate definition of the best course of action, as a result of the regular communication between your **Liebert® Trinergy™ Cube** system and our **Vertiv LIFE Services** centers.

Reporting

You will receive a comprehensive report detailing the working order of your equipment and its operational performance.

Customer Monitoring Interfaces

LCD Touch Screen Features

- High security access with separate password levels for users and service engineers
- User-friendly graphical interface
- Single-line mimic diagram showing system status
- Contemporary dashboard-style indicators for major system values and conditions
- Automatic charting display for logged power and environmental data.

Hardware Connectivity

Liebert® Trinergy™ Cube allows for the monitoring and control of networked UPS, through different protocol options:

- The integration of UPS with Building Monitoring and Automation Systems via MODBUS RTU, MODBUS/TCP or JBUS protocols
- The integration of UPS in Network Management Systems through SNMP protocol
- Two slots for additional connectivity cards are available for specific protocol requirements.

Software Connectivity

Vertiv™ Nform™ will monitor the **Liebert Trinergy Cube** via SNMP protocol Authenticated alarm management, trend analysis and event notification delivers a comprehensive monitoring solution. Available in a variety of versions to suit anything from small computer rooms to multiple location distributed IT networks, Vertiv Nform enables:

- Condition based system state recording
- Alarm event exporting to disk
- SMTP email
- Execution of external program
- Shut down clients.

Vertiv SiteScan® is a centralized site monitoring system which ensures maximum visibility and availability of critical operations. Vertiv SiteScan Web allows users to virtually monitor and control any piece of critical support equipment. Its features include real-time monitoring and control, data analysis, trend reporting, and event management.

VERTIV™ TRELIS™ PLATFORM

Vertiv's Trellis™ platform is a real-time infrastructure optimization platform that enables the unified management of data centre IT and facilities infrastructure.

The Vertiv *Trellis* platform software can manage capacity, track inventory, plan changes, visualize configurations, analyze and calculate energy usage, and optimize cooling and power equipment.

The Vertiv *Trellis* platform monitors the data center, providing a thorough understanding of system dependencies to help IT and facilities organizations keep the data center running at peak performance. This unified and complete solution, delivers the power to see the real situation in your data center, make the right decision and take action with confidence.

Customer Experience Center

Vertiv's state-of-the-art Customer Experience Center located in Castel Guelfo (Bologna - Italy), enables our customers to experience first-hand a wide variety of data center technologies, supported by constant consultation from R&D and engineering specialists.

Customers visiting the center will be able to witness pre-installation demonstrations, covering the technical performance, interoperability and efficiency of Vertiv™ UPS systems under real field conditions. These processes can be experienced from the facility's control room, where real-time performance measurements and reporting will be available while providing full visibility of the demonstration area. The center can host simultaneous tests at full load of up to 4000 A.

The customer validation area specifically dedicated to UPS consists of four testing stations, each one providing up to 1.2 MVA of capacity. Testing includes individual modules, as well as complete power systems, with the added possibility of the customer's switchgear support systems being connected, thus guaranteeing smooth, rapid installation and commissioning of large power systems.

Testing is also customized based on the complexity, size and number of UPS components in the configuration.

Our Customer Experience Center offers three validation experiences:

- **Demo** - carried out on new products to demonstrate UPS performance
- **Standard** - validation test showing UPS standard technical performances in compliance with UPS catalogue and IEC 62040-3 standards
- **Customized** - session tailored to validating customer's specific technical performance needs.



Liebert® Trinergy™ Cube Specifications

TECHNICAL SPECIFICATIONS

System Range	150 kW - 27 MW
Core Adaptive Power Rating (kVA)	up to 200 / 400
Core Power Rating at 35°C (kW)	up to 200 / 400

GENERAL

Average Operating Efficiency	98.5%
Maximum Efficiency	up to 99.5%
Airflow (m ³ /h)	up to 1450 (200 kW Core) / 2600 (400 kW Core)
Heat Dissipation at Full Load in VFI (kW)	7.7 (200 kW Core) / 15.4 (400 kW Core)
Paralleling	up to 10 cores in one unit, up to 8 units in parallel
Hot Swappable core	Yes
Withstand Rating (kAIC)	up to 100
Audible Noise (dB)	65 dBA (at partial load)
Altitude Max (m)	1000 m without derating
Operating Temperature (°C)	0-55

INPUT

Input Wiring	3 ph + N + PE, 3 ph + PE
Input Voltage Range (V)	200-480
Input Frequency Range (Hz)	45-65
Input Power Factor	0.99
Input THDi	3%
Soft Start Capability	Yes
Internal Backfeed Protection	Optional

OUTPUT

Output Wiring	3 ph + N + PE, 3 ph + PE
Configurable Voltage Rating	380, 400, 415 V, 440 V, 50/60 Hz
Permitted Load Power Factor	up to 1, any PF leading or lagging without derating; crest factor up to 3:1
Output UTHD	<3% (100% linear load); <5% (reference non linear load)
Overload on Inverter	see Liebert Trinergy Cube APP dynamic specification
Short Circuit Current (A)	up to 650 A (200 kW Core) / 1300 A (400 kW Core)

GENERAL CHARACTERISTICS

HMI	12-inch Color Touchscreen Including Web, SNMP, MODBUS/Jbus Protocols
Multi-language	Standard

BATTERY

Type	VRLA (Li-Ion, Pure Lead, Flywheel upon Request)
Charging Method	ABM Technology or Float
Battery Voltage Range	396-700

BATTERY

	(W X D X H MM)	(KG)
Core 200 kW	500 x 910 x 1950	465
Core 400 kW	675 x 910 x 1950	610
I/O Box 600 A	1150 x 910 x 1950	800
I/O Box 1200 A	1625 x 910 x 1950	1000
I/O Box 2400 A	150 x 910 x 1950	1300
I/O Box 3000 A	3800 x 910 x 1950	Upon request
I/O Box 4000 A	2700x1820x1950 (back to back configuration)	Upon request
I/O Box 5000 A	3050x1820x1950 (back to back configuration)	Upon request

ACCESSORIES

External Battery Cabinets with Long-life Batteries, Li-Ion Batteries, Pure Lead Batteries and Flywheel upon Request, Intellislot Connectivity, Maintenance Bypass Switch

COMMUNICATIONS

Slots	2 Intellislots
Protocols	SNMP, MODBUS TCP/IP, MODBUS RTU
Inputs/Outputs	9/8 Programmable

COMPLIANCE WITH STANDARDS

Safety	IEC 62040-1, IEC 60950-1
EMC	IEC 62040-2
Performance	IEC 62040-3

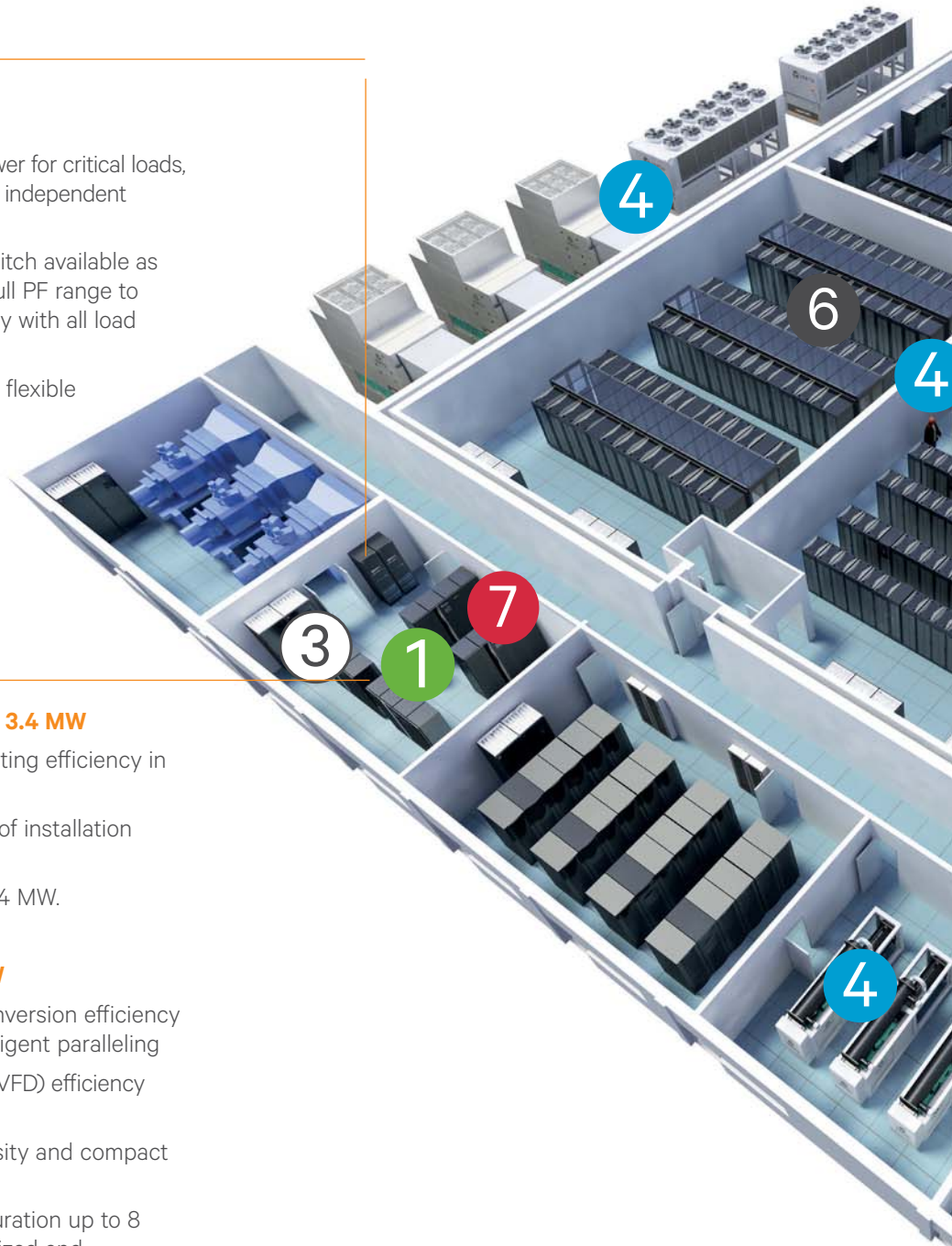
Data Center Infrastructure for Large Applications

Static Transfer Switch



■ Liebert® CROSS

- Ensures redundant power for critical loads, switching between two independent power sources
- Solid-state transfer switch available as 2/3/4P versions with full PF range to guarantee compatibility with all load types
- Extremely reliable and flexible architecture.



UPS



■ Liebert Trinergy™ Cube 3.4 MW

- Highest average operating efficiency in the industry: 98.5%
- Unprecedented levels of installation flexibility
- Hot scalability up to 3.4 MW.



■ Liebert 80-eXL 800 kW

- Three-level double conversion efficiency of up to 97% plus intelligent paralleling
- Intelligent ECO mode (VFD) efficiency above 99%
- Enhanced energy density and compact footprint
- Parallel system configuration up to 8 units with both centralized and distributed parallel capabilities.



■ Liebert NXL 800 kVA

- UPS for critical high power applications
- Provides greater power capacity along with superior reliability
- Meets power requirements and energy efficiency in high availability data centers.



- ① AC Power
- ② Infrastructure Management & Monitoring
- ③ Power Switching & Controls
- ④ Thermal Management
- ⑤ Racks & Integrated Cabinets
- ⑥ Surge Protection
- ⑦ DC Power

Remote Diagnostics

■ Vertiv™ LIFE™ Services Remote Diagnostic and Preventive Monitoring

With **Vertiv LIFE Services** you will benefit from:

- Uptime assurance
- First time fix rate
- Proactive analysis
- Minimized total cost of ownership of your equipment
- Fast incident response
- Reporting.



VertivCo.com | Emerson Network Power Limited, George Curl Way, Southampton, SO18 2RY, VAT Number: GB188146827

© 2016 Vertiv Co. All rights reserved. Vertiv™, the Vertiv logo, Liebert® Trinergy Cube, Liebert 80-eXL 800 kW, Liebert CROSS, Liebert NXL 800 kVA, Vertiv *Trellis*™, Vertiv Nform™, Vertiv SiteScan® and Vertiv LIFE™ Services, are trademarks or registered trademarks of Vertiv Co. All other names and logos referred to are trade names, trademarks or registered trademarks of their respective owners. While every precaution has been taken to ensure accuracy and completeness herein, Vertiv Co. assumes no responsibility, and disclaims all liability, for damages resulting from use of this information or for any errors or omissions. Specifications are subject to change without notice.